



SENSITIVE. RAPID. RELIABLE.

# SURESTEP<sup>®</sup> hCG

The SureStep<sup>®</sup> hCG One Step Pregnancy Test (Urine) is a simple and reliable rapid chromatographic immunoassay for the detection of human chorionic gonadotropin (hCG) in urine to aid in the early detection of pregnancy.

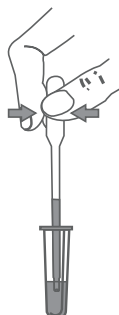
Through a combination of monoclonal and polyclonal antibodies, the test selectively detects elevated levels of hCG with no cross-reactivity interference from the structurally related glycoprotein hormones hFSH, hLH and hTSH at high physiological levels.



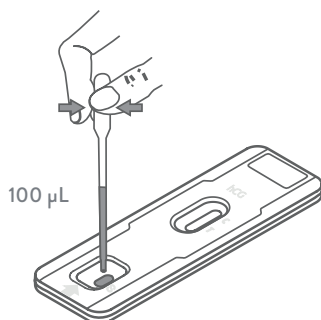
# SureStep® hCG

## PROCEDURE

- 1 Use pipette device to collect exact urine sample.



- 2 Dispense 3 drops of urine into sample well.



- 3 Read results at 3–4 minutes after applying sample.



**C** = Control Line Region  
**T** = Test Line Region

Consult the Instructions for Use (IFU) supplied with the kit for complete information.

## INFORMATION

<b>Sensitive</b>	Detects pregnancy as early as 1 day after first missed period
<b>Rapid</b>	Results in only 3–4 minutes
<b>Just one step</b>	Minimal training required
<b>Reliable</b>	Proven accuracy with 100% sensitivity and specificity
<b>Built-in procedural control</b>	Provides confirmation that test has been performed correctly
<b>Room temperature storage</b>	Ready to use at any time

## SPECIFICATIONS

<b>Sample type</b>	Urine
<b>Read time</b>	3–4 minutes
<b>Detection limit</b>	25 mIU/mL
<b>Storage</b>	2°C–30°C
<b>Relative Sensitivity</b>	100%
<b>Relative Specificity</b>	100%

Refer to the IFU for complete details on product performance.

## ORDER INFORMATION

<b>SureStep® hCG One Step Pregnancy Test (Urine)</b>	25 Test Kit	IVFHC-102-ICBC0425
--	-------------	--------------------



**TO LEARN MORE, CONTACT YOUR ABBOTT REPRESENTATIVE OR VISIT [ABBOTT.COM/POCT](http://ABBOTT.COM/POCT).**

T: 1800 622 642 (free call AU) | T: 0800 466 951 (free call NZ) | T: +61 7 3363 7100 | [rapiddx.ANZ.enquiries@abbott.com](mailto:rapiddx.ANZ.enquiries@abbott.com) | [abbott.com/poct](http://abbott.com/poct)

© 2019 Abbott. All rights reserved. All trademarks referenced are trademarks of either the Abbott group of companies or their respective owners. Any photos displayed are for illustrative purposes only. Any person depicted in such photos is a model. A1926.4 10/19

