

# Oxygen Masks

## DESCRIPTION

m|devices Oxygen Masks are suitable for paediatric and adult use and are available in standard and elongated shape to meet your clinical needs. The elastic straps and an adjustable aluminium nose clip to ensure the most secure and comfortable fit. They are latex free and are made from medical grade PVC.

## FEATURES & BENEFITS

- 3 paediatric and 3 adult versions available
- Available with and without tubing
- Kink resistant star lumen tubing
- Standard connectors
- Adjustable straps

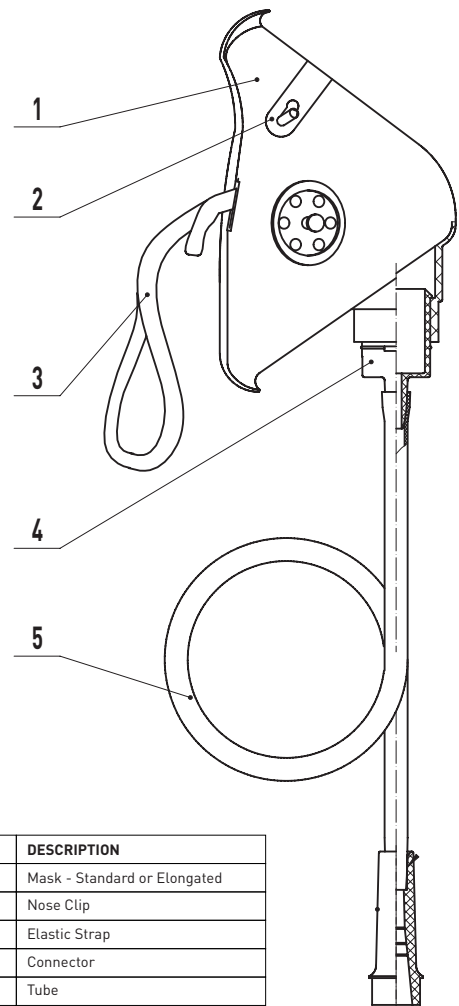
## PRODUCT DATA

- Tubing length: 2.1m, 3m
- Tubing type: Star Lumen
- Tubing diameter: 3.94mm
- DEHP YES = Product contains Phthalates such as the PVC Plasticizer Di-(2-ethylhexyl)-phthalate (DEHP).
- Not Made with Natural Rubber Latex
- ARTG Number: 308751
- Shelf Life: 5 Years
- Medical Grade PVC

## STANDARDS

- EN ISO 11135-1:2007 Sterilization of Health Care Product
- EN ISO11607-1:2006 Packaging for terminally sterilized medical devices — Part 1: Requirements for materials, sterile barrier systems and packaging systems
- ISO 10993-1:2009 - Biological evaluation of medical devices

## PRODUCT DIAGRAM



# Oxygen Masks

Oxygen Masks				
RE-ORDER	DESCRIPTION	TUBING LENGTH	SIZE	CARTON/QTY
<b>AN060000NS</b>	Oxygen Mask Medium Concentration Standard Shape without Tubing		Paediatric	50
<b>AN060001NS</b>	Oxygen Mask Medium Concentration Standard Shape with Tubing	2.1m	Paediatric	50
<b>AN060002NS</b>	Oxygen Mask Medium Concentration Elongated Shape without Tubing		Paediatric	50
<b>AN060003NS</b>	Oxygen Mask Medium Concentration Elongated Shape without Tubing	2.1m	Paediatric	50
<b>AN061000NS</b>	Oxygen Mask Medium Concentration Standard Shape without Tubing		Adolescent	50
<b>AN061001NS</b>	Oxygen Mask Medium Concentration Standard Shape with Tubing	2.1m	Adolescent	50
<b>AN061002NS</b>	Oxygen Mask Medium Concentration Elongated Shape without Tubing		Adult	50
<b>AN061003NS</b>	Oxygen Mask Medium Concentration Elongated Shape without Tubing	2.1m	Adult	50
<b>AN066001NS</b>	Oxygen Mask Medium Concentration Standard Shape with Tubing	3m	Paediatric	50
<b>AN066003NS</b>	Oxygen Mask Medium Concentration Elongated Shape with Tubing	3m	Paediatric	50
<b>AN066004NS</b>	Oxygen Mask Medium Concentration Standard Shape with Tubing	3m	Adolescent	50
<b>AN066005NS</b>	Oxygen Mask Medium Concentration Elongated Shape with Tubing	3m	Adult	50